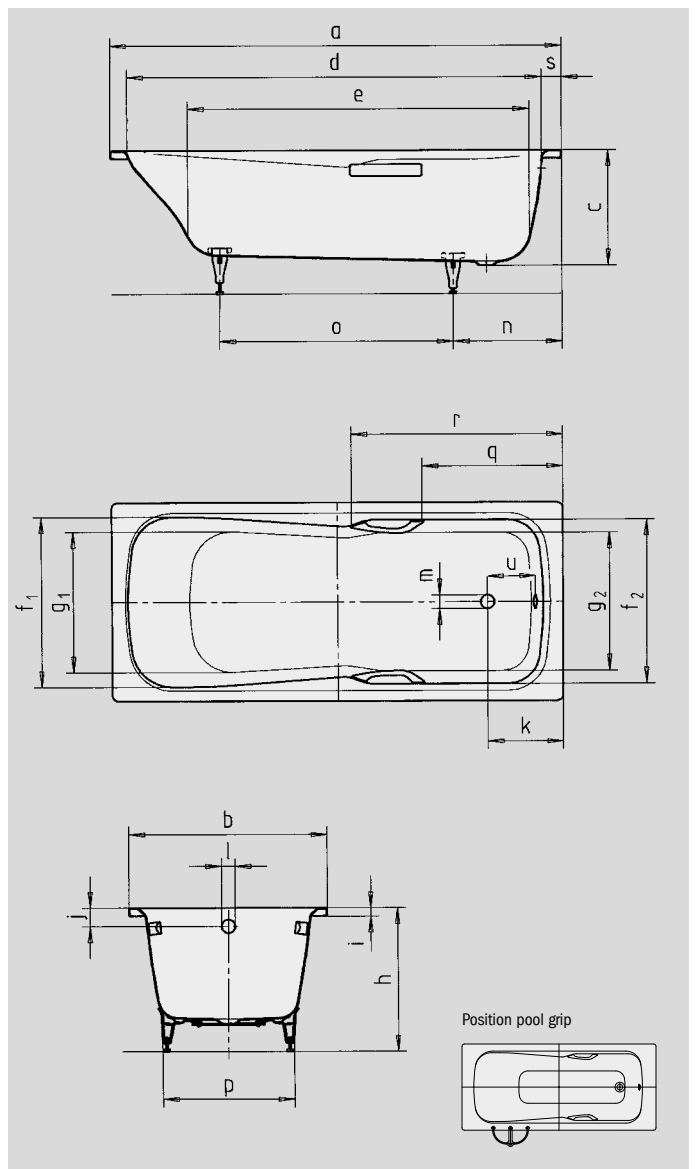


# DYNA SET DYNA SET STAR

- one-seater bath with waste at foot end
- combi-bath suitable for bathing and showering
- made of KALDEWEI steel enamel 3,5 mm
- also available with grips



Similar illustration



Model No.		626 / 627	624 / 625	620 / 621	622 / 623
External length	a	1600	1500	1700	1800 mm
External width	b	700	750	750	800 mm
Depth	c	430	430	430	430 mm
Internal length (top)	d	1440	1340	1565	1565 mm
<b>Internal length (bottom)</b>	<b>e</b>	<b>1155</b>	<b>1050</b>	<b>1230</b>	<b>1230 mm</b>
Internal width (top)	f <sub>1</sub> ; f <sub>2</sub>	590; 590	640; 640	640; 620	640; 620 mm
Internal width (bottom)	g <sub>1</sub> ; g <sub>2</sub>	450; 470	500; 520	500; 520	500; 520 mm
Height with feet	h	561-586	561-586	561-586	561-586 mm
Height of rim	i	32	32	32	32 mm
Distance top edge to centre of overflow hole	j	70	70	70	70 mm
Distance bath edge to centre of drain hole	k	310	310	285	335 mm
Diameter of overflow hole	l	52	52	52	52 mm
Diameter of drain hole	m	52	52	52	52 mm
Distance foot end of bath edge to centre of foot	n	410	410	410	415 mm
Distance between the feet	o	690	590	760	805 mm
Max. width of feet	p	445	495	495	495 mm
Distance bath edge (foot end) to where grip/handle starts (627/625/621/623)	q	505	505	525	575 mm
Distance bath edge (foot end) to where grip/handle ends (627/625/621/623)	r	780	780	800	850 mm
Width of rim (foot end)	s	100	100	75	125 mm
Distance between centre holes	u	206	206	206	206 mm
Water volume** in litres		122	133	169	169
Weight of the enamelled bath in kg		46	45	53	68
Anti-slip		∅ 288	∅ 288	∅ 435	∅ 435 mm
Full anti-slip		850 x 240	600 x 220	900 x 300	900 x 300 mm

Note: The operational system may protrude on some whirl systems.  
Please refer to the Technical Information for Whirl Systems for further information.  
Subject to technical alterations, tolerances and errors. Similar illustration.  
\*\* 70 litres displacement on average.

**KALDEWEI**