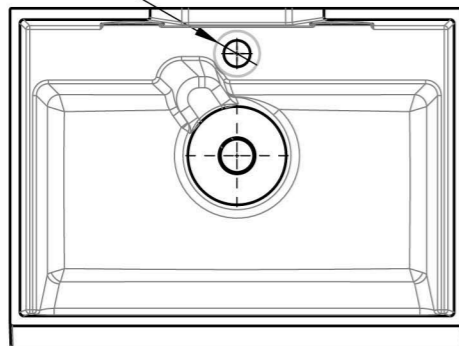


$\phi 60$ Flat area



OR060