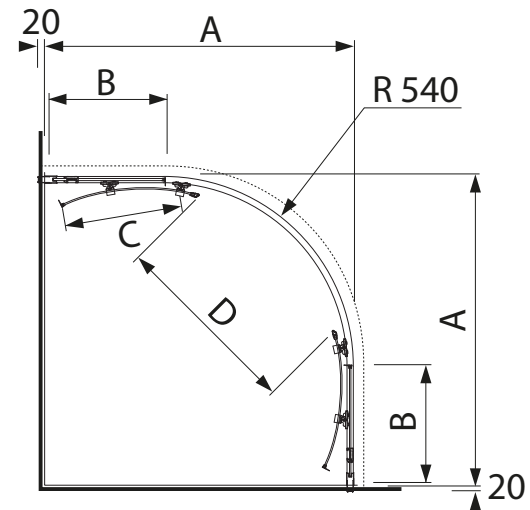


| Číslo výrobku | Rozměr (mm) | Výška (mm) | Tloušťka (mm) |
|--------------------|-------------|------------|---------------|
| 2.5324.1.002.668.1 | 800 | 1950 | 6 |
| 2.5324.2.002.668.1 | 900 | 1950 | 6 |
| 2.5324.3.002.668.1 | 1000 | 1950 | 6 |
| 2.5324.1.002.666.1 | 800 | 1950 | 6 |
| 2.5324.2.002.666.1 | 900 | 1950 | 6 |
| 2.5324.3.002.666.1 | 1000 | 1950 | 6 |



| Číslo výrobku | Rozměrové možnosti (mm) A | Rozměr (mm) B | Rozměr (mm) C | Šířka vstupu (mm) D |
|--------------------|---------------------------|---------------|---------------|---------------------|
| 2.5324.1.002.668.1 | 780–795 | 225 | 389 | 410 |
| 2.5324.2.002.668.1 | 880–895 | 325 | 389 | 540 |
| 2.5324.3.002.668.1 | 980–995 | 425 | 389 | 540 |
| 2.5324.1.002.666.1 | 780–795 | 225 | 389 | 410 |
| 2.5324.2.002.666.1 | 880–895 | 325 | 389 | 540 |
| 2.5324.3.002.666.1 | 980–995 | 425 | 389 | 540 |