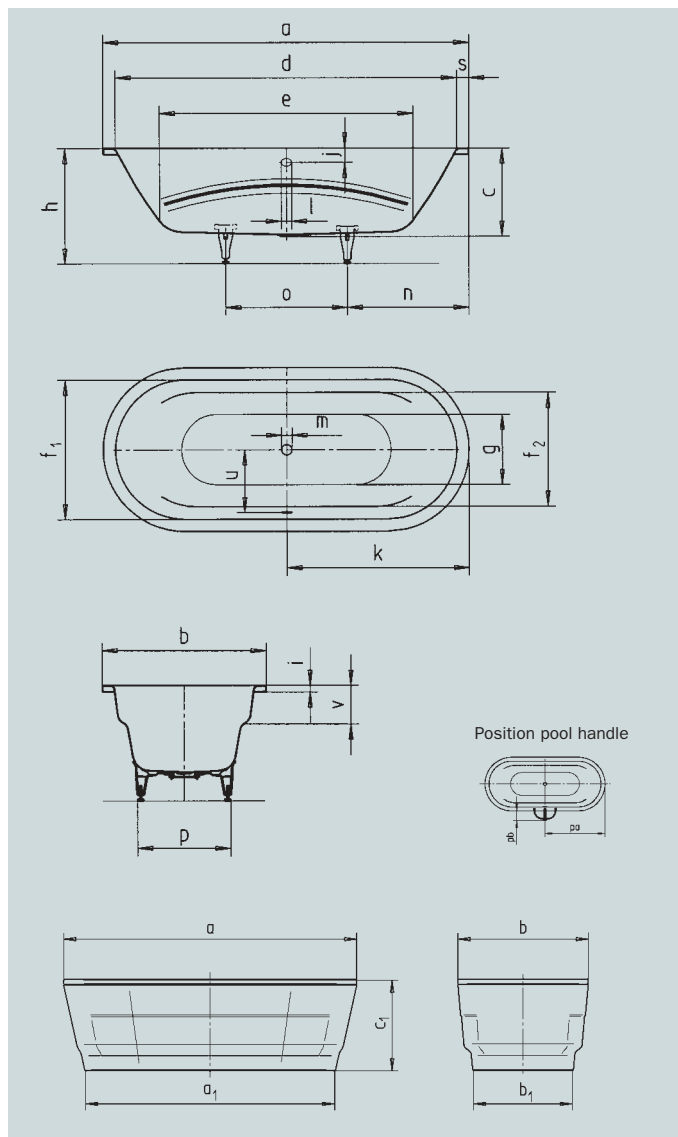


VAIO DUO OVAL

VAIO DUO OVAL

WITH MOULDED PANEL

- bathing with a friend: two identical back rests and centrally positioned outlet
- with integrated arm rests
- the moulded panel emphasises the high design standard and enables the bathtub to be free-standing



Model no.		951	951-7
External length	a	1800	1800 mm
External width	b	800	800 mm
Depth	c	430	430 mm
External length (bottom)	a ₁	–	1530 mm
External width (bottom)	b ₁	–	608 mm
Overall height with panel	c ₁	–	560 mm
Internal length (top)	d	1680	1680 mm
Internal length (bottom)	e	1248	1248 mm
Internal width (top)	f ₁ ; f ₂	680; 555	680; 555 mm
Internal width (bottom)	g	343	343 mm
Height with feet	h	550-590	550-590 mm
Height of rim	i	32	32 mm
Distance top edge to centre of overflow hole	j	70	70 mm
Distance tub edge (foot) to centre of drain hole	k	900	900 mm
Diameter of overflow hole	l	52	52 mm
Diameter of drain hole	m	52	52 mm
Distance foot end of tub edge to centre of base	n	600	600 mm
Distance between the feet	o	600	600 mm
Max. width of feet	p	455	455 mm
Distance tub edge to drilled hole in the middle	pa	900	900 mm
Max. overhang	pb	146	146 mm
Width of rim (foot end; lengthwise)	s	60	60 mm
Distance between centre holes	u	332	332 mm
Armrest depth	v	180	180 mm
Water volume** in litres		155	155
Anti-slip		∅ 435	∅ 435 mm
Full anti-slip		900 x 300	900 x 300 mm

Subject to technical alterations and tolerances.
 ** 70 litres displacement on average.